

General Description

The AAT2469 is a dedicated TVLite control IC for the AAT2499 TVLite LED drivers. One AAT2469 can control up to 8 AAT2499 TVLite LED drivers (up to 16 individual LED strings), providing a high-efficiency white LED backlight solution for large-sized LCD panels used in LCD TVs.

The AAT2469 includes an SPI compatible interface allowing fast independent digital control from the system. Four unique device addresses allow control of up to 64 LED strings. From the SPI interface, the AAT2469 generates serial shift data and clock signals to drive AAT2499 TVLite LED drivers. A voltage reference output adjusts LED current globally through an 8-bit resolution dot correction register. LED PWM gray scale and phase delay registers are programmable with 12-bit resolution (11-bit resolution at PWM doubling mode) and can be synchronized to the system VSYNC input signal. The AAT2469 provides fault handling and fault reporting of all controlled TVLite current sinks through an SPI interface.

The AAT2469 provides an ICSFB signal, a current proportional signal of the CSFBO signal, to regulate the current mode DC-DC converter to optimize the LED supply voltage for each LED string from the CSFBO signal from the AAT2499 TVLite LED driver.

The AAT2469 is available in a Pb-free, 16 pin SOP package.

Features

- V_{IN} Range: 4.5V to 5.5V
- Controls up to 8 AAT2499 TVLite drivers
- 15MHz SPI Interface
- Read/Write Registers
- Four Unique Device Addresses
 - Up to 64 LED Strings
- High Resolution Digital Control for LED Current
 - 12-Bit Resolution Gray Scale PWM Brightness¹
 - 12-Bit Resolution Channel Phase Delay¹
 - 8-Bit Resolution Current Setting (Dot Correction)
- VSYNC, PWM and Delay Synchronization
- Integrated System Fault Reporting
 - Open and Short Circuit LED(s)
 - Programmable Short Detection Threshold
 - Over-Temperature Protection
- Soft-Start to Minimize Inrush Current
- 16 pin SOP16, 1.27mm pitch
- -20°C to +85°C Temperature Range

Applications

- Large Size LCD TVs, Panels
- LCD Monitors
- White LED Backlighting

AAT2469

LCD TV Panel LED Backlight Driver Controller

Ordering Information

Package	Marking ¹	Part Number (Tape and Reel) ²
SOP-16	2469 XXYY	AAT2469IAB-T1

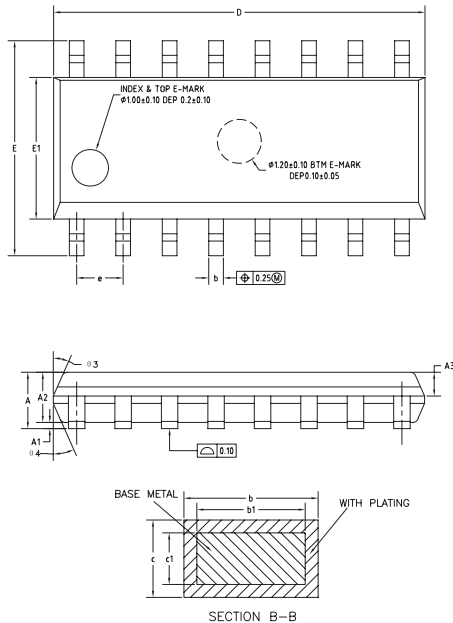


Skyworks Green™ products are compliant with all applicable legislation and are halogen-free.

For additional information, refer to Skyworks Definition of Green™, document number SQ04-0074.

Package Information

SOP-16



COMMON DIMENSIONS
(UNITS OF MEASURE=MILLIMETER)

SYMBOL	MIN	NOM	MAX
A	1.35	1.60	1.75
A1	0.10	0.15	0.25
A2	1.25	1.45	1.65
A3	0.55	0.65	0.75
b	0.36	—	0.51
b1	0.35	0.40	0.45
c	0.17	—	0.25
c1	0.17	0.20	0.23
D	9.86	9.96	10.06
E	5.80	6.00	6.20
E1	3.80	3.90	4.00
e	1.27BSC		
L	0.45	0.60	0.80
L1	1.04REF		
L2	0.25BSC		
R	0.07	—	—
R1	0.07	—	—
h	0.30	0.40	0.50
Ø 1	6"	8"	8"
Ø 2	6"	8"	10"
Ø 3	5"	7"	9"
Ø 4	5"	7"	9"

NOTES:
 ALL DIMENSIONS MEET JEDEC STANDARD MS-012 AC
 DO NOT INCLUDE MOLD FLASH OR PROTRUSIONS.

All dimensions in millimeters.

1. XXYY = assembly and date code.
2. Sample stock is generally held on part numbers listed in **BOLD**.

Copyright © 2012 Skyworks Solutions, Inc. All Rights Reserved.

Information in this document is provided in connection with Skyworks Solutions, Inc. ("Skyworks") products or services. These materials, including the information contained herein, are provided by Skyworks as a service to its customers and may be used for informational purposes only by the customer. Skyworks assumes no responsibility for errors or omissions in these materials or the information contained herein. Skyworks may change its documentation, products, services, specifications or product descriptions at any time, without notice. Skyworks makes no commitment to update the materials or information and shall have no responsibility whatsoever for conflicts, incompatibilities, or other difficulties arising from any future changes.

No license, whether express, implied, by estoppel or otherwise, is granted to any intellectual property rights by this document. Skyworks assumes no liability for any materials, products or information provided hereunder, including the sale, distribution, reproduction or use of Skyworks products, information or materials, except as may be provided in Skyworks Terms and Conditions of Sale.

THE MATERIALS, PRODUCTS AND INFORMATION ARE PROVIDED "AS IS" WITHOUT WARRANTY OF ANY KIND, WHETHER EXPRESS, IMPLIED, STATUTORY, OR OTHERWISE, INCLUDING FITNESS FOR A PARTICULAR PURPOSE OR USE, MERCHANTABILITY, PERFORMANCE, QUALITY OR NON-INFRINGEMENT OF ANY INTELLECTUAL PROPERTY RIGHT; ALL SUCH WARRANTIES ARE HEREBY EXPRESSLY DISCLAIMED. SKYWORKS DOES NOT WARRANT THE ACCURACY OR COMPLETENESS OF THE INFORMATION, TEXT, GRAPHICS OR OTHER ITEMS CONTAINED WITHIN THESE MATERIALS. SKYWORKS SHALL NOT BE LIABLE FOR ANY DAMAGES, INCLUDING BUT NOT LIMITED TO ANY SPECIAL, INDIRECT, INCIDENTAL, STATUTORY, OR CONSEQUENTIAL DAMAGES, INCLUDING WITHOUT LIMITATION, LOST REVENUES OR LOST PROFITS THAT MAY RESULT FROM THE USE OF THE MATERIALS OR INFORMATION, WHETHER OR NOT THE RECIPIENT OF MATERIALS HAS BEEN ADVISED OF THE POSSIBILITY OF SUCH DAMAGE.

Skyworks products are not intended for use in medical, lifesaving or life-sustaining applications, or other equipment in which the failure of the Skyworks products could lead to personal injury, death, physical or environmental damage. Skyworks customers using or selling Skyworks products for use in such applications do so at their own risk and agree to fully indemnify Skyworks for any damages resulting from such improper use or sale.

Customers are responsible for their products and applications using Skyworks products, which may deviate from published specifications as a result of design defects, errors, or operation of products outside of published parameters or design specifications. Customers should include design and operating safeguards to minimize these and other risks. Skyworks assumes no liability for applications assistance, customer product design, or damage to any equipment resulting from the use of Skyworks products outside of stated published specifications or parameters.

Skyworks, the Skyworks symbol, and "Breakthrough Simplicity" are trademarks or registered trademarks of Skyworks Solutions, Inc., in the United States and other countries. Third-party brands and names are for identification purposes only, and are the property of their respective owners. Additional information, including relevant terms and conditions, posted at www.skyworksinc.com, are incorporated by reference.